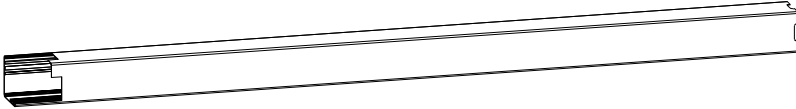

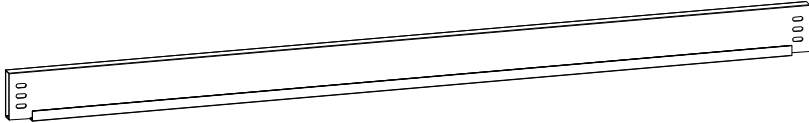
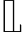
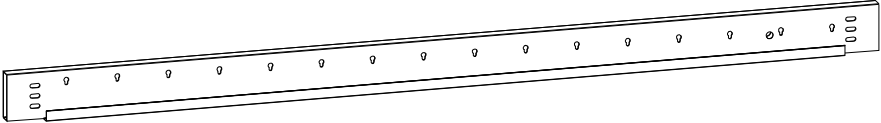
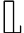




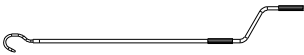
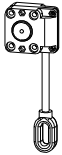

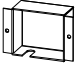
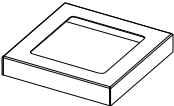

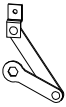

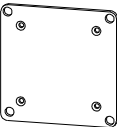


BPS 4X3 Pergola

COMPONENT LIST

4X3 PERGOLA

CODE	QTY	PRODUCT Name	IMAGE DESCRIPTION	
1	4	POST		
2				
3	2	BEAM (L & R)		
4	2	BEAM (F & B)		
5				
6	26	LOUVRES		
7	2	DRIVER ROD		
8	1	OPERATING POLE		

CODE	QTY	PRODUCT Name	IMAGE DESCR IPTION	CODE	QTY	PRODUCT Name	IMAGE DESCR IPTION
9	1	GEARBOX		15	4	SMALL COVER	
10	1	GEARBOX COVER		16	4	SMALL BASE COVER	
10	52	LOUVRE CAP LINER		17			
12	1	STAND BAR		18			
13	16	LONG NUT		19			
14	4	SMALL BASE		20			

